

A hand belt is supplied as a standard accessory. On models with the /SB option, a shoulder belt is also included. This manual explains how to attach the belt.



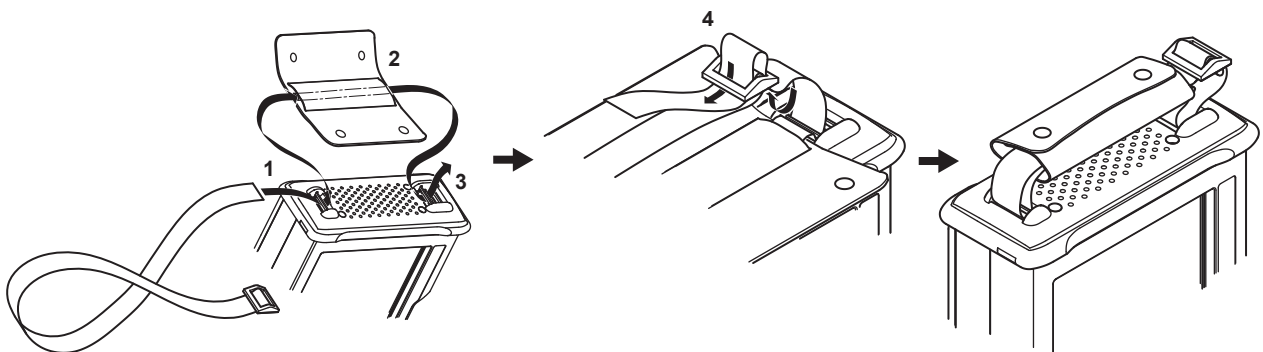
CAUTION

Pass the belt through the buckle and fasten it firmly according to the procedure in this manual. If the belt is loose or the belt is passed through only one of the holes in the buckle, the belt may slip off and the instrument may fall.

How to Attach the Hand Belt

The hand belt can be attached to the left or right side of the instrument. Attach the belt to the desired side. There are two hand belt attachment sections. Securely attach the hand belt at the two sections.

1. Pass the hand belt through the lower hand belt attachment section on the side of the instrument.
2. Pass the hand belt through the hand belt cover.
3. Pass the hand belt through the upper hand belt attachment section (the second attachment section from the top) on the side of the instrument.
4. Pass the hand belt through the buckle.
5. Fasten the buttons of the hand belt cover.



How to Attach the Shoulder Belt

The shoulder belt can be attached to the shoulder belt attachment section on the left and right sides of the AQ7270. As shown in the figure below, securely attach the shoulder belt by passing the belt through the top belt attachment section on each side of the instrument and then pass it through the buckle.

